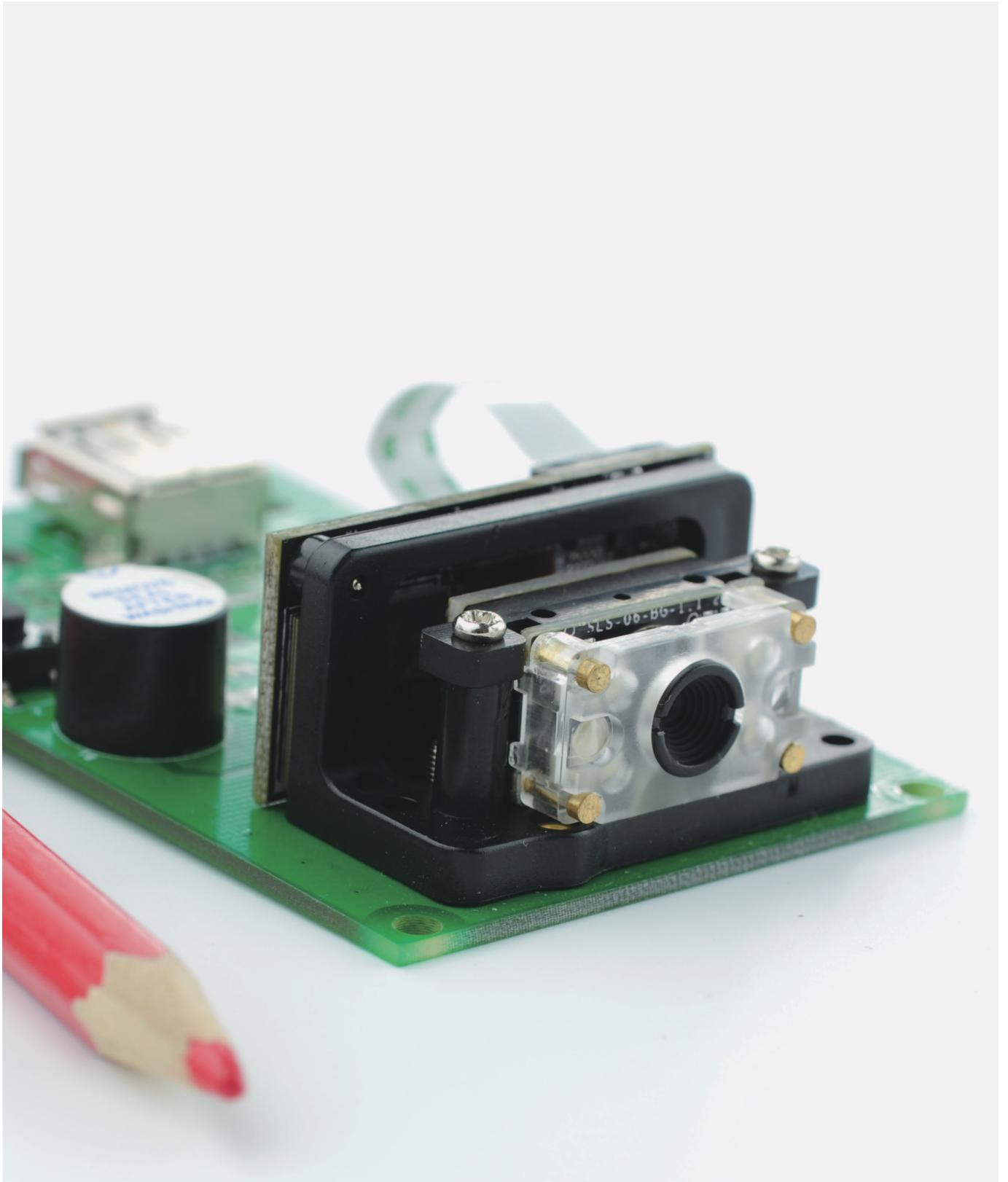




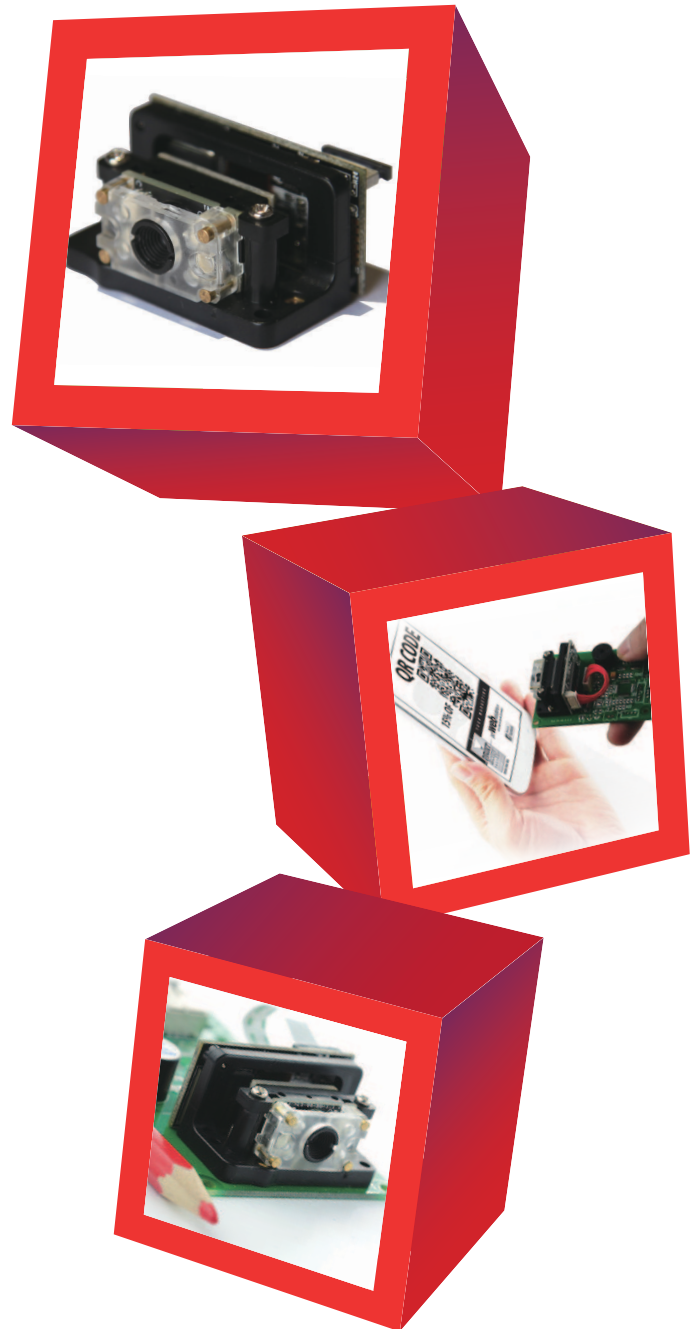
RT200

OEM Scan Engine – 2D Barcode Imager



2D Barcode Imager

- ▶ Based on state-of-the-art CMOS technology & advanced image processing and decoding technology, RT200 is a high performance 2D imager, it can read poorly printed 1D/2D bar code, and also can read 1D/2D bar code from mobile phone screen .
- ▶ As an embedded module, it's compact designed and widely used for data collection terminals, kiosks, robotic automation, medical instruments and countless other applications. Many manufacturers have chosen RT200 for their product design and used for embedded, high-performance data collection.
- ▶ The RT200 is also outstanding in user friendly, in addition to the TTL UART interface, it also supports USB output with our evaluation kit board, and we also provide open SDK API such as image capture, I/O interface, etc. for integration.

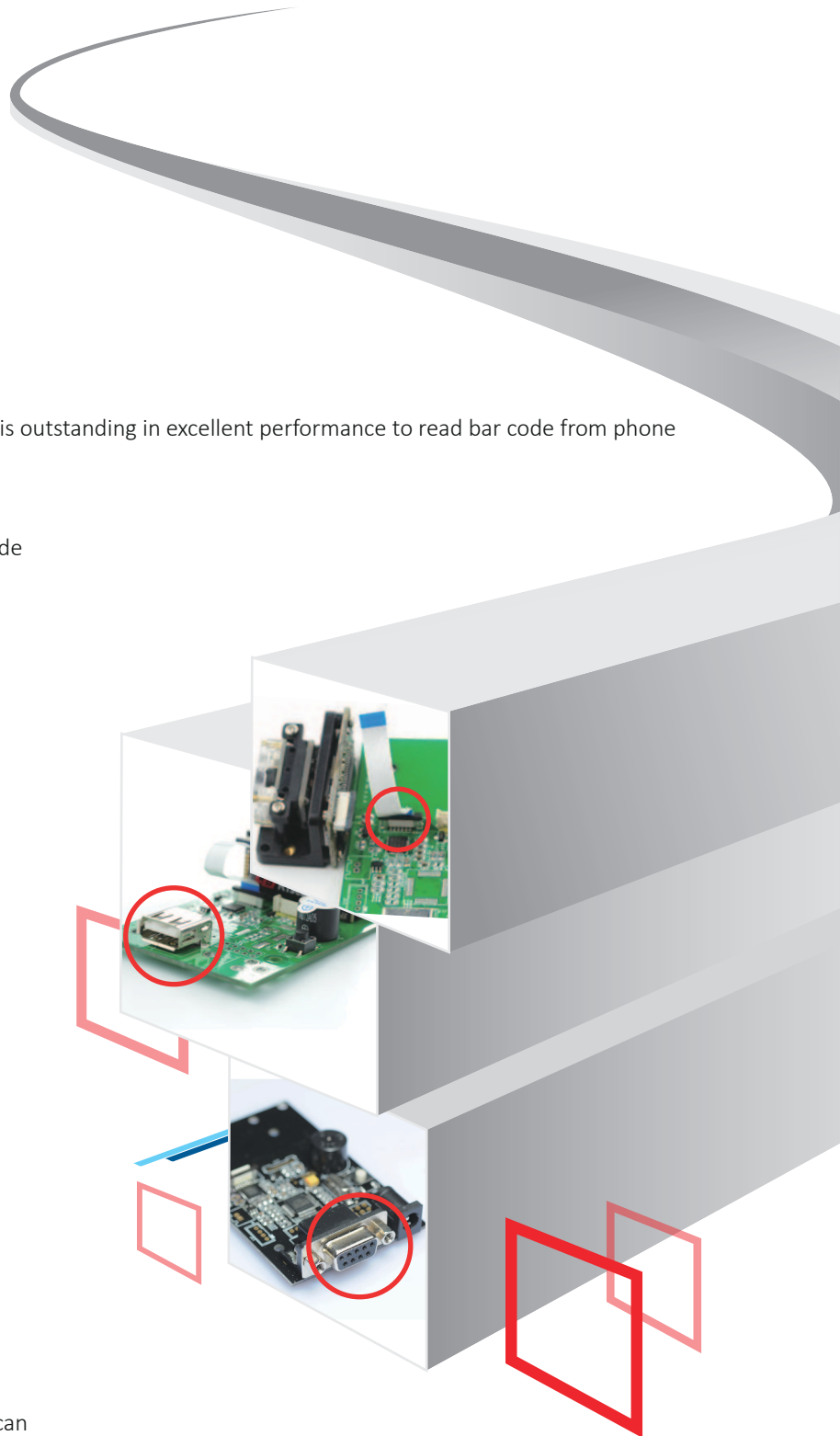


Features:

- Compact, easy to be embedded
- Support most of 1D/2D code decoding
- With high performance processing chip inside, it is outstanding in excellent performance to read bar code from phone screen
- Easy to be programmed, support firmware upgrade
- Flexible with customization

Interface:

- ▶ TTL: the module itself with TTL serial output
- ▶ USB: the emulation kit board with USB interface (the emulation kit board can be bought together)
- ▶ RS232: the interface of the emulation kit board can be also RS232



- ▶ The emulation kit board provides RS232 or USB interface, with very compact design.

By using this emulation kit board together, you can reduce time to develop and integrate the 2D imager with your system so as to speed up your process to promote your system to the market.

Specification:

Mechanical

| | |
|--------------------|-------------------------|
| Dimensions (LxWxH) | 36.35mm×19.43mm×23.3mm. |
| Weight | 25 g |

Electrical

| | |
|-------------------------------|--|
| Input Voltage | 3.3 VDC |
| Operating Power | 9.9 W (300mA @ 3.3 VDC) |
| Standby Power | 2.21 W (70mA @ 3.3VDC) |
| Host System Interfaces | TTL level serial, or if with emulation kit: USB virtual COM, RS232 |
| LED class | EN62471:2008 |
| Electromagnetic compatibility | EN55022, EN55024, EN60950-1 |

Environmental

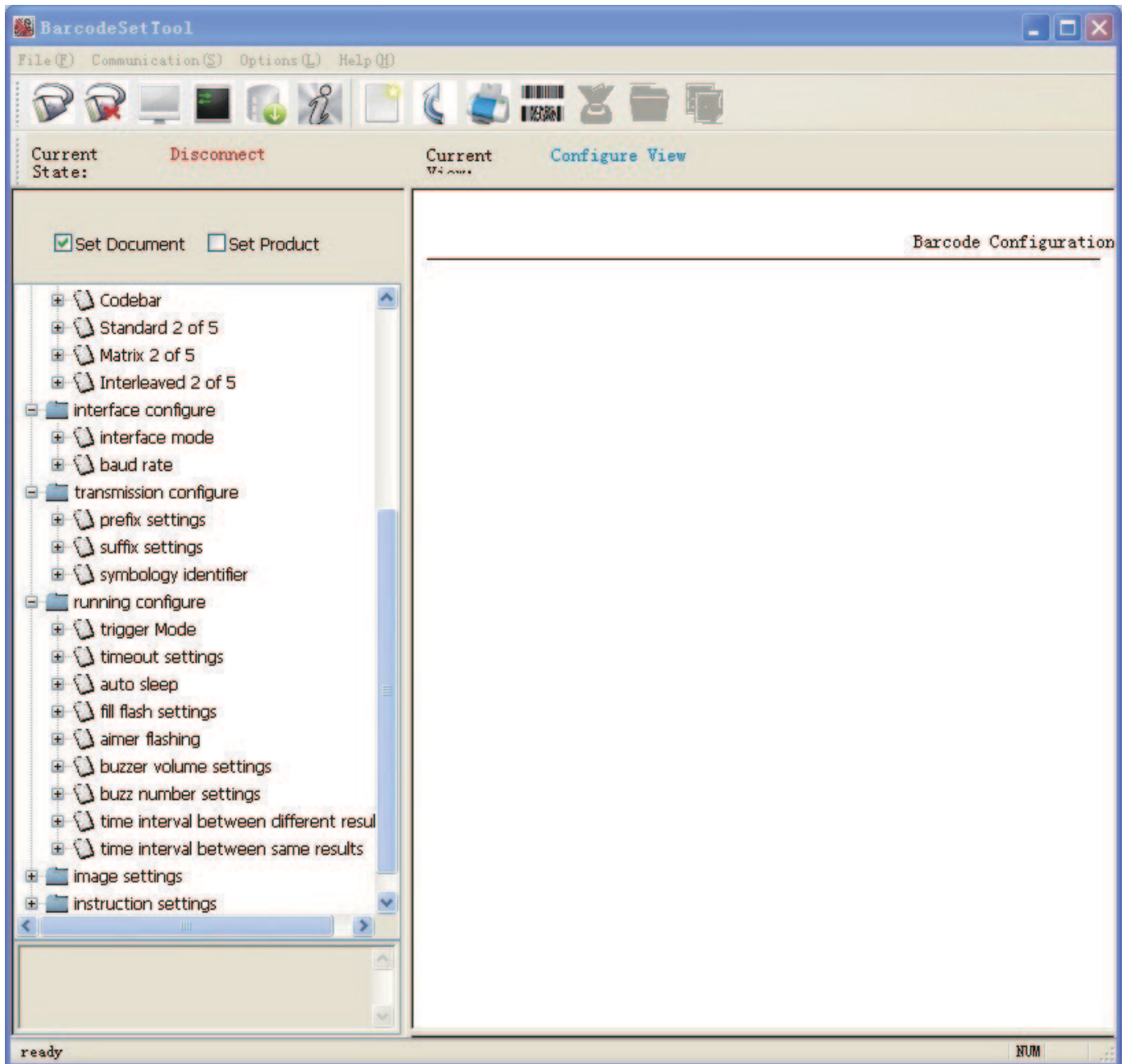
| | |
|-----------------------|--|
| Operating Temperature | 0°C to 40°C |
| Storage Temperature | -40°C to 60°C |
| Humidity | 5% to 95% relative humidity, non-condensing |
| Drop | withstand 1.0 m drops to concrete on each of the faces |
| Illumination Level | 0 to 100,000 lux |

Scan Performance

| | |
|--------------------|---|
| Scan Pattern | Area Image |
| Optical Resolution | 752*480 pixels |
| Scan Angle | Omnidirectional |
| Symbol Contrast | 25% minimum reflectance difference |
| Pitch, Skew | 75°, 75° |
| Decode Capability | 2D: PDF417, Data Matrix, QR code, Aztec 1D: UPC\EAN (UPC-A, UPC-E, EAN-13, EAN-8), Codabar, Standard 2 of 5 (Industrial 2 of 5), Matrix 2 of 5, interleaved 2 of 5, Code11, MSI, GS1 DataBar, Code 128, Code 39, Code 93 |

| | |
|----------|-------------------------|
| Warranty | 1 year factory warranty |
|----------|-------------------------|

Configuration Tool :





RT300

High Resolution 2D Barcode Reader





- ▶ The RT300 is a barcode reader which is specially designed for reading those big size and high density PDF417 code in identification document or driver's license.
- ▶ With 1.3mega pixel high resolution image sensor, which is optimized for big size and high density barcode scanning, the RT300 offers outstanding performance for reading the PDF417 in ID document worldwide, easy and fast reading.
- ▶ Besides of the PDF417 code in ID document, the RT300 also supports decoding most of 1D and 2D bar codes, such as QR code, Data Matrix, and it is also outstanding for reading extremely big size barcode from long distance.



Features:

- Readable PDF417 code from ID document or driver's license easily and quickly
- Omnidirectional scanning, able to read all the standard one-dimensional bar code and two-dimensional bar code such as QR code,PDF417, microPDF, and Data Matrix
- Capable for reading big size bar code from long distance away
- Fast, even faster than some Honeywell barcode readers
- Accurate aiming and decoding
- Support Windows, Andriod(power output need to be >400mA)
- Interface: USB-HID, USB-COM emulation, RS232, RJ11(to work with POS terminal), Mini USB

Specification:

Mechanical

| | |
|--------------------|---------------------|
| Dimensions (LxWxH) | 180mm x 80mm x 90mm |
| Weight | 200 g |

Scan Performance

| | |
|---------------------|---|
| Scan Pattern | Area Image (838 x 640 pixel array) |
| Optical Resolution | 1.30MEGA pixels |
| Motion Tolerance | Up to 50 cm/s for 13 mil UPC at distance of 10cm |
| Scan Angle | Horizontal 50°; Vertical: 20° |
| Symbol Contrast | 20% minimum reflectance difference |
| Pitch, Skew, Rotate | 75°, 75°, 360° |
| Decode Capability | 2D: PDF417, Micro PDF417, Data Matrix, QR code, Aztec 1D: GS1 DataBar, UPC\EAN (UPC-A, UPC-E, EAN-13, EAN-8), Code 128, Code 39, Code 93 |

Electrical

| | |
|-------------------------------|---|
| Input Voltage | 5 VDC |
| Operating Power | 2 W (400mA @ 5 VDC) |
| Standby Power | 0.8 W (160mA @ 5 VDC) |
| Host System Interfaces | USB, Keyboard Wedge, RS232 |
| LED class | Class I: IEC60825-1 EN60825-1 |
| Electromagnetic compatibility | FCC Part15, IEC60825-1, EN55022 Class B |

Environmental

| | |
|-----------------------|--|
| Operating Temperature | 0°C to 40°C |
| Storage Temperature | -40°C to 60°C |
| Humidity | 0% to 95% relative humidity, non-condensing |
| Drop | Designed to withstand 1.5 m drops to concrete Stand: Designed to withstand 50 1.2 m (4') drops to concrete on each of the faces |
| Environmental Sealing | IP52 |
| Illumination Level | 0 to 100,000 lux |

| | |
|----------|-------------------------|
| Warranty | 1 year factory warranty |
|----------|-------------------------|

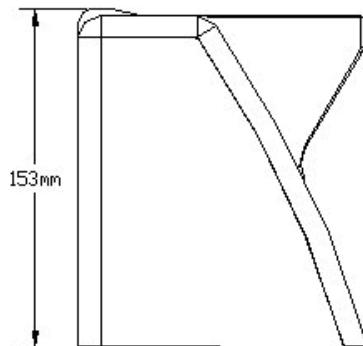
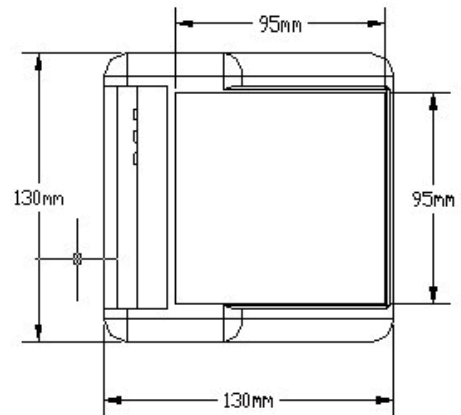
Typical Performance

| | |
|-----------|-------------|
| 5mil(1D) | 35mm- 145mm |
| 7mil(1D) | 25mm- 230mm |
| 13mil(1D) | 20mm- 330mm |
| 10mil(2D) | 20mm- 330mm |
| 15mil(2D) | 20mm- 400mm |

Performance may be impacted by bar code quality and environmental conditions

RT301

Desktop/Kiosk PDF417 Reader For
PDF417 Code in ID card or Driver's License



- ▶ If you are looking for a 2d and PDF417 reader for identification document for kiosk or desktop use, this barcode reader would be your good choice.
- ▶ It detects the barcode and reads it automatically, this is a strong feature especially for kiosk use.
- ▶ It can decode high density and big size barcode, especially for the PDF417 code which printed in ID card or driver's license, the code is big and high density, a common bar code reader can not read this kind of code, but this reader can do it! Built in a high resolution industrial image sensor, this barcode reader can read those big size of codes accurately and easily. Use this reader for your banking system, or for your access control system, the work becomes so simply than never before.
- ▶ We developed powerful interfaces for this barcode reader, USB-HID, USB-COM emulation, RS232, RJ11, Mini USB, which meet all kinds of your system; at the same time, it supports Windows and Android OS.

Features:

- Readable PDF417 code from ID documents or driver's license easily and quickly
- Support automatically detecting and reading the bar code
- Omnidirectional scanning, able to read all the standard one-dimensional bar code and two-dimensional bar code such as QR code, PDF417, microPDF, and Data Matrix
- Fast, even faster than some of Honeywell barcode readers
- Accurate aiming and decoding
- Support Windows, Android (power output need to >400mA)
- Interface: USB HID, USB virtual COM emulation, RS232, RJ11, Mini USB

Specification:

Mechanical

| | |
|--------------------|-----------------------|
| Dimensions (LxWxH) | 153mm x 130mm x 130mm |
| Weight | 200 g |

Scan Performance

| | |
|--------------------|---|
| Scan Pattern | Area Image (838 x 640 pixel array) |
| Optical Resolution | 1.30MEGA pixels |
| Motion Tolerance | Up to 50 cm/s for 13 mil UPC at distance of 10cm |
| Scan Angle | Horizontal 50°; Vertical: 20° |
| Symbol Contrast | 20% minimum reflectance difference |
| Rotate | 360° |
| Decode Capability | 1D: Code39, Code93, Code 128, UPC / EAN, Code 2 of 5, Code11, Codabar, MSI Plessey, GS1 DataBar 2D: PDF417, QR Code, Aztec Code, Data Matrix |

Electrical

| | |
|-------------------------------|---|
| Input Voltage | 5 VDC |
| Operating Power | 2 W (400mA @ 5 VDC) |
| Standby Power | 0.8 W (160mA @ 5 VDC) |
| Host System Interfaces | USB, Keyboard Wedge, RS232 |
| LED class | Class I: IEC60825-1 EN60825-1 |
| Electromagnetic compatibility | FCC Part15, IEC60825-1, EN55022 Class B |

Environmental

| | |
|-----------------------|---|
| Operating Temperature | 0°C to 40°C |
| Storage Temperature | -40°C to 60°C |
| Humidity | 0% to 95% relative humidity, non-condensing |
| Environmental Sealing | IP52 |
| Illumination Level | 0 to 100,000 lux |

| | |
|----------|-------------------------|
| Warranty | 1 year factory warranty |
|----------|-------------------------|



RT400

QR Reader



- ▶ The RT400 is a 1D/2D bar codes reader which can read bar code from phone screen and other LCD display, readable from paper too. Ideal for mobile ticket bar code reading.

Features:

- Optimized for reading from LCD display, for example: read from phone display.
- Readable QR code, Data matrix, PDF417 and most of 1D bar codes
- Sensitive, quick and accurate reading
- USB-Virtual Com, USB-HID(American keyboard layout) and RS232 interface
- Small



Specification:

Electrical

| | |
|-------------------------------|---|
| Input Voltage | 5 VDC |
| Operating Power | 1.5 W (300mA @ 5 VDC) |
| Standby Power | 0.4 W (80mA @ 5 VDC) |
| Host System Interfaces | USB Keyboard Wedge(USB-KBW), USB COM Emulation, RS232 |
| LED class | Class I:IEC60825-1 IEC/EN62471:2006 |
| Electromagnetic compatibility | FCC Part15, ROHS |

Environmental

| | |
|-----------------------|---|
| Operating Temperature | 0°C to 40°C |
| Storage Temperature | -40°C to 60°C |
| Humidity | 5% to 95% relative humidity, non-condensing |
| Illumination Level | 0 to 100,000 lux |
| Depth of field | 3.5-23CM |

Scan Performance

| | |
|--------------------|---|
| Scan Pattern | Area Image |
| Optical Resolution | 752*480 pixels |
| Scan Angle | Horizontal 50°; Vertical: 20°,360° rotate. |
| Symbol Contrast | 20% minimum reflectance difference |
| Pitch, Skew | 60°, 65° |
| Warranty | 1 year factory warranty |
| Decode Capability | 1D: UPC-A\UPC-E\Coderbar\Code 128\Interleaved 2 of 5 Code 39\ Code 93 2D: PDF417\ Data Matrix\ Maxicode\ QR code\ Aztec |

| | |
|----------|-------------------------|
| Warranty | 1 year factory warranty |
|----------|-------------------------|



RT600

High performance handheld 2D bar code reader





- ▶ The RT600 is a high performance 1D/2D bar codes reader, sensitive, fast and accurate. Readable from phone screen.

Features:

- With large angle image photoreceptor, readable either small size or big size barcode.
- Very sensitive, quick and accurate reading
- USB-HID, RS232 interface
- Antiknock design: withstand multiple falls to cement pavement from 1.8m height
- Can Read barcode from phone screen(and paper too)



Specification:

| Mechanical | |
|-------------------------------|--|
| Dimensions (LxWxH) | 170mm×105mm×72mm. |
| Weight | 178 g |
| Electrical | |
| Input Voltage | 5 VDC |
| Operating Power | 2 W (400mA @ 5 VDC) |
| Standby Power | 0.8 W (160mA @ 5 VDC) |
| Host System Interfaces | USB HID, RS232 |
| LED class | Class I:IEC60825-1 IEC/EN62471:2006 |
| Electromagnetic compatibility | FCC Part15, ROHS |
| Environmental | |
| Operating Temperature | 0°C to 40°C |
| Storage Temperature | -40°C to 60°C |
| Humidity | 0% to 95% relative humidity, non-condensing |
| Drop | Withstand 1.8 m drops to concrete on each of the faces |
| Illumination Level | 0 to 100,000 lux |
| Scan Performance | |
| Scan Pattern | Area Image |
| Optical Resolution | 0.30MEGA pixels, 752*480 pixels |
| Scan Angle | Horizontal 50°; Vertical: 20° |
| Symbol Contrast | 20% minimum reflectance difference |
| Pitch, Skew,rotate | 60°, 65°, 360° |
| Warranty | 1 year factory warranty |
| Decode Capability | 1D:UPC\EAN with supplementals\ Bookland EAN\ ISSN\ UCC Coupon Extended Code\ Code 128\ GS1-128\ ISBT 128\ Code 39\ Code 39 Full ASCII\ Trioptic Code 39\ Code 32\ Code 93\ Code 11\ Matrix 2 of 5\ interleaved 2 of 5\ Discrete 2 of 5\ Codabar\ MSI\ Chinese 2 of 5\ GSI DataBar Variants\ Korean 3 of 5\ ISBT Concat 2D:PDF417\ MicroPDF417\ Composite Codes\ TLC-39\ Data Matrix\ Maxicode\ QR code\ MicroQR\ Aztec |
| Warranty | |
| Warranty | 1 year factory warranty |



RT900

IP54 Water-proof & Dust-proof Industrial 2D Barcode Reader



- ▶ The RT900, based on outstanding 2D imaging processing technology and IP54 industrial standard performance, offers industry-leading barcode decoding performance and reliability for industrial level application. Water proof, dust proof and withstand drop from a height of 1.8 meters.



Features:

- Omnidirectional scanning, able to read all of the standard one-dimensional bar codes and two-dimensional bar codes such as PDF417, micro PDF, and Data Matrix and QR
- Compliant with IP54 industrial level, durable and reliable
- Used with Medical-environmental-protection material, can be used for medical environment
- Accurate aiming and decoding, sensitive and fast
- Support Plug-in-play, decoded data can be output to application software such as MS Word, Excel...
- Readable bar code either from paper or phone screen

Specification:

Mechanical

| | |
|--------------------|---------------------|
| Dimensions (LxWxH) | 168mm x102mm x 71mm |
| Weight | 170 g |

Electrical

| | |
|-------------------------------|---|
| Input Voltage | 5 VDC |
| Electrical Safety | EN60950-1 UL60950-1 |
| Operating Power | 2W (400mA @ 5 VDC) |
| Standby Power | 0.8W (160mA @ 5 VDC) |
| Illumination | 625nm LEDs |
| LED Safety | IEC/EN60852-1:2001, IEC/EN62471:2006 |
| Electromagnetic compatibility | FCC Part15 Class B, ICES-003 Class B, EN55024 RoHS directive 2002/95/EEC |
| Host System Interfaces | USB-HID(Default), RS232 |

Environmental

| | |
|------------------------|--|
| Operating Temperature | 0°C to 40°C |
| Storage Temperature | -40°C to 70°C |
| Humidity | 5% to 95% relative humidity, non-condensing |
| Drop | Withstand multi-time 1.8 m drops to concrete |
| Environmental Sealing | IP54 |
| Illumination Levels | 0 to 100,000 lux |
| Ambient Light Immunity | Indoor 1600lux, and sunlight 86000lux |

Scan Performance

| | |
|---------------------|--|
| Field of view | 39.6°(H)* 25.8(V)° |
| Motion Tolerance | Up to 63.5 cm/s |
| Scan Angle | Horizontal 50°; Vertical: 20° |
| Symbol Contrast | 25% minimum reflectance difference |
| Pitch, Skew, rotate | 65°, 60°, 360° |
| Decode Capability | 1D: UPC\EAN with supplementals\ Bookland EAN\ ISSN\ UCC Coupon Extended Code\ Code 128\ GS1-128\ ISBT 128\ Code 39\ Code 39 Full ASCII\ Trioptic Code 39\ Code 32\ Code 93\ Code 11\ Matrix 2 of 5\ interleaved 2 of 5\ Discrete 2 of 5\ Codabar\ MSI\ Chinese 2 of 5\ GSI DataBar Variants\ Korean 3 of 5\ ISBT Concat 2D:PDF417\ MicroPDF417\ Composite Codes\ TLC-39\ Data Matrix\ Maxicode\ QR code\ MicroQR\ Aztec 1 year factory warranty |

Typical Performance

| | |
|-----------|-------------|
| 5mil(1D) | 35mm- 145mm |
| 7mil(1D) | 25mm- 230mm |
| 13mil(1D) | 20mm- 330mm |
| 10mil(2D) | 20mm- 330mm |
| 15mil(2D) | 20mm- 400mm |

| Typical Performance | | Typical Working Ranges | | | | | |
|--------------------------|----------------|------------------------|-------|-----------------|-------|-----------------|-------|
| | | HD Focus Range | | SR Focus Range | | ER Focus Range | |
| Bar Code Type | Symbol Density | Near | Far | Near | Far | Near | Far |
| Code 39 | 5.0mil | 5.0mm | 90mm | 30mm | 120mm | 80mm | 180mm |
| 100%UPCA | 13.0mil | 13.0mm | 200mm | 15mm | 350mm | 10mm | 480mm |
| Code39 | 20.0mil | 20.0mm | 250mm | 15mm | 350mm | 20mm | 550mm |
| PDF417 | 6.80mil | 6.80mm | 95mm | 10mm | 150mm | 70mm | 220mm |
| Data Matrix | 10.0mil | 10.0mm | 110mm | 10mm | 180mm | 65mm | 260mm |
| QR Code | 20.0mil | 20.0mm | 150mm | 10mm | 350mm | 20mm | 450mm |
| Resolution 1D Code 39 | | 2.8mil(0.071mm) | | 4.8mil(0.122mm) | | 4.8mil(0.122mm) | |
| Resolution 2D Data Marix | | 4.8mil(0.122mm) | | 6.6mil(0.168mm) | | 7.5mil(0.191) | |

Performance may be impacted by bar code quality and enviromental conditions





RT105

Wireless Bar Code Reader



- ▶ It is a wireless barcode reader, the reader works together with a receiver which connected with computer, the reader and the receiver communicate each other by 433MHz radio frequency, the decoded data is transmitted from the reader to the receiver, then uploaded to computer.

And at the same time, the reader with build-in battery, memory and LCD displayer, so it can also work stand alone, and the decoded data can be showed in its displayer.



Features:

- Build-in LCD displayer, build-in battery, and memory for data storage
- Up to 500 meters(outdoor) communication distance
- Easy to use
- Small and portable
- High speed: 200 times per second
- Suitable especially for warehouse management, logistic and production lines management

“This a very cost-effective solution for those applications which need PDA barcode terminal but only for simple function.”

Mechanical

| | |
|--------------------|---------------------|
| Dimensions (LxWxH) | 122mm x57mm x 29mm. |
| Weight | 102 g |

Electrical

| | |
|-------------------------------|--------------------------------------|
| Input Voltage | 3.7 VDC |
| Operating Power | 0.24 W |
| Standby Power | 0.0018 W |
| Laser | 650nm |
| Memory | 4M Bytes |
| Battery | 3.7V/1000mAH,Li-ion. |
| Standby time: | 3 Months |
| Woking time: | 20 days |
| Interfaces | RS232, USB-HID, RS485 |
| Band frequency | 433Mhz ISM |
| LED class | IEC/EN60852-1:2001, IEC/EN62471:2006 |
| Electromagnetic compatibility | CE Class1: EN60825-1 |

Environmental

| | |
|-----------------------|--|
| Operating Temperature | -10°C to 50°C |
| Storage Temperature | -40°C to 60°C |
| Humidity | 5% to 95% relative humidity, non-condensing |
| Drop | withstand 1.0 m drops to concrete on each of the faces |
| Illumination Levels | 0 to 100,000 lux |

Scan Performance

| | |
|--------------------|--|
| Scan Pattern | Linear |
| Scan Angle | Horizontal 50°; Vertical: 20° |
| Symbol Contrast | 25% minimum reflectance difference |
| Pitch, Skew,rotate | 60°, 65°, 360° |
| Decode Capability | 1D: EAN-8, EAN-13, UPC-A, UPC-E, Code 39, Code93, Code28, EAN128, Codaber Industrial 2 of 5, Interleave 2 of 5, Matrix 2 of 5, MSI,Chinese postcode, etc. 2D: Not support(but accept customization) |

| | |
|----------|-------------------------|
| Warranty | 1 year factory warranty |
|----------|-------------------------|

Reading distance range

| | |
|-------|-----------|
| 5mil | 35-110mm |
| 10mil | 15-280mm |
| 13mil | 20-320mm |
| 16mil | 35-360mm |
| 35mil | 150-625mm |

Why RTscan:

▶ **Focus**

We focus on barcode readers technology. We believe "focus" is helpful for us to provide good products and service to our customers.

▶ **Experience**

Nearly 10 years focus on barcode readers technology, our experienced team not only provide you qualified products, but also quick support for technical issues, which help you to be more outstanding among your competitors.

▶ **Good Price**

Base on our factory in mainland of China, we provide relatively lower price for our barcode readers

▶ **Fast**

Business is racing sometime. Whatever in terms of lead time, technical response, or even OEM/ODM customization, we can all act quickly.

▶ **Flexible for customization**

For different project, because of the specific condition, some customization would be required, but the "big" vendors would not care about your requirement. Then don't worry, RTscan can help you! Feel free to contact us and we will do the best.

▶ **High Efficiency Sales Team**

A good communication is always essential for business cooperation. We have experienced sales engineers who make the communication effectively and efficiently. What's more, we also have Spanish speaking sales engineers, so especially, if you are from Spanish speaking countries, the language will be not a problem again!



Create value & Make a difference.