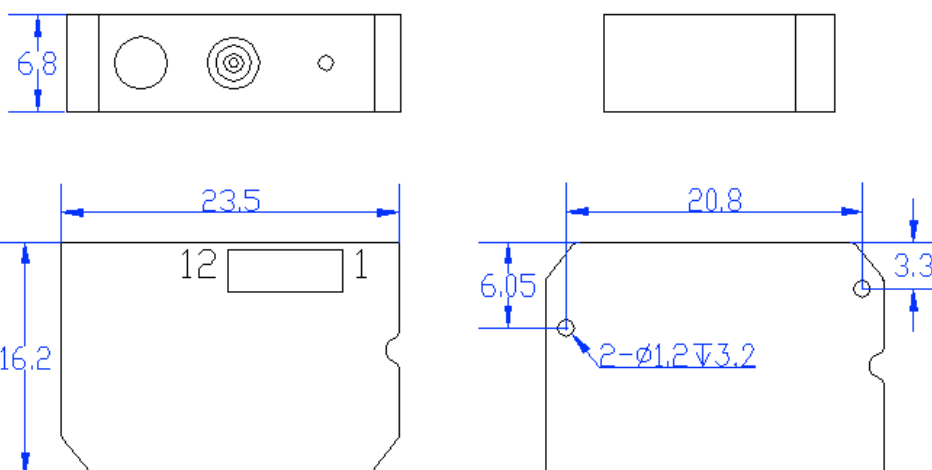


# RT218 SPECIFICATION

Sensor Capability		
Sensor	Image, CMOS Sensor, 0.3M Pixels	
Scanner Speed	1/120 fps	
Field of View	Diagonal 52°, Horizontal 42°, Vertical 32°	
Scan Capability		
Scan Precision	2D≥5mil, 1D≥4mil	
Depth of Field	Testing Condition	Depth of Field
	Code 39 4mil	40~120mm
	Code 128 5mil	30~170mm
	Code 39 5mil	30~160mm
	Code 39 20mil	60~320mm
	100% UPCA	40~290mm
	PDF417 5mil	30~120mm
	Data Matrix 10mil	20-100mm
	QR Code 20mil	30~210mm
Scan Angle	Roll 360°, Pitch ± 55°, Screw ± 55°	
Symbology	2D Code: QR Code, Data Matrix, PDF417, Han Xin Code, Dotcode etc, 1D Code: UPC-A, UPC-E, EAN-8, EAN-13, ISBN, Code 128, GS1 128, ISBT 128, Code 39, Code93, Code 11, Interleaved 2 of 5, Industrial 2 of 5, Matrix 25, Standard 25, Codabar, MSI/MSI PLESSEY, GS1 DataBar etc.	
Symbol Contrast	25% Minimum Reflectance	
Illumination LED		
Illumination	White	
Laser Aiming		
Aiming	Red Laser Aimer	
Physical Parameter		
Dimension	(L×W×H) : 23.5mm×16.2mm×6.8mm	
Weight	3g	
Interface		
Interface	UART, USB	
Cable	12pin , 0.5Pitch ,up and down are compatible	
Scan Mode	Trigger Mode/Command Mode/Sense Mode	
Install Hole	Two M1.2mm threaded screws, depth 3.2mm; Recommend PB1.4mm, locked depth no more than 3mm	
Environmental Data		
Operating Temperature	-20°C ~ 70°C	
Storage Temperature	-40°C ~ 80°C	

Humidity	Relative Humidity 5% ~ 95% (no-condensing)
Ambient Light	1Lux to 100,000 Lux
<b>Electrical Parameter</b>	
Input Voltage	3.3V±0.3V
Operating Current	< 190mA
Low Power Current	< 1mA

**Specification** (Tolerance±0.2mm)



**Exterior Image**



**Laser Amier**



**12-Pins Interface**

N0	Pin	Signal Type	Description
1	NC		Empty Pin
2	VDD	Power	3.3V Power Supply
3	GND	Power	GND
4	RX	Input	UART Receives, TTL Level
5	TX	Output	UART Sends, TTL Level
6	D-	Bi-directional Difference	USB D-Signal
7	D+	Bi-directional Difference	USB D+Signal

8	NC		NC Empty Pin
9	BUZ	Output	Beeper Signal Outputs (High Level is Valid),Need External Drive
10	LED	Output	LED Signal Outputs (High Level is Valid) , Need External Drive
11	NC		NC Empty Pin
12	nTRIG	Input	Trigger Signal Inputs, Low Level is Valid