



RT240

Fixed mount 2d Barcode Scanner

The RT240 Fixed-mount 2d Barcode Scanner can be applied to all kinds of ATM, Locker, Kiosks, Express cabinets, Ticket gates, and other types self-service terminals. Especially for applications of medical instruments or similar devices which **require high safety, REACH certification, and high-level performance**, this RT240 can be your good choice from China.



| REACH Certified

With strictly selected material, the RT240 is not only CE FCC RoHS but also REACH certified.

| IEC62471/EN62471 LED

For safety purposes, the RT240 is embedded with illumination LED which are IEC62471/EN62471 certificated.

| Special design to protect users' eyes from the light flashing

The scanner comes with an cover (optional) which prevents the scanner's lights from shooting into the human eyes.

| Enhanced illumination

The RT240 provides enhanced illumination that ensure the scanner can work even in very dark environment (for command trigger mode only).

| Excellent reading performance

Great performance to read most types 2d (QR Code, Data Matrix, PDF417) and common 1d bar codes, whatever read from paper or from phone screen.

| Easy mounting design

The RT240 comes with an (optional) mounting bracket which enables you to embed the scanner with your devices very easily. It facilitates your design and save your development time.

| Command trigger or automatic sensing trigger

The scanner can be triggered by commands, It also supports detecting and reading barcodes automatically.

| Support multiple OS:

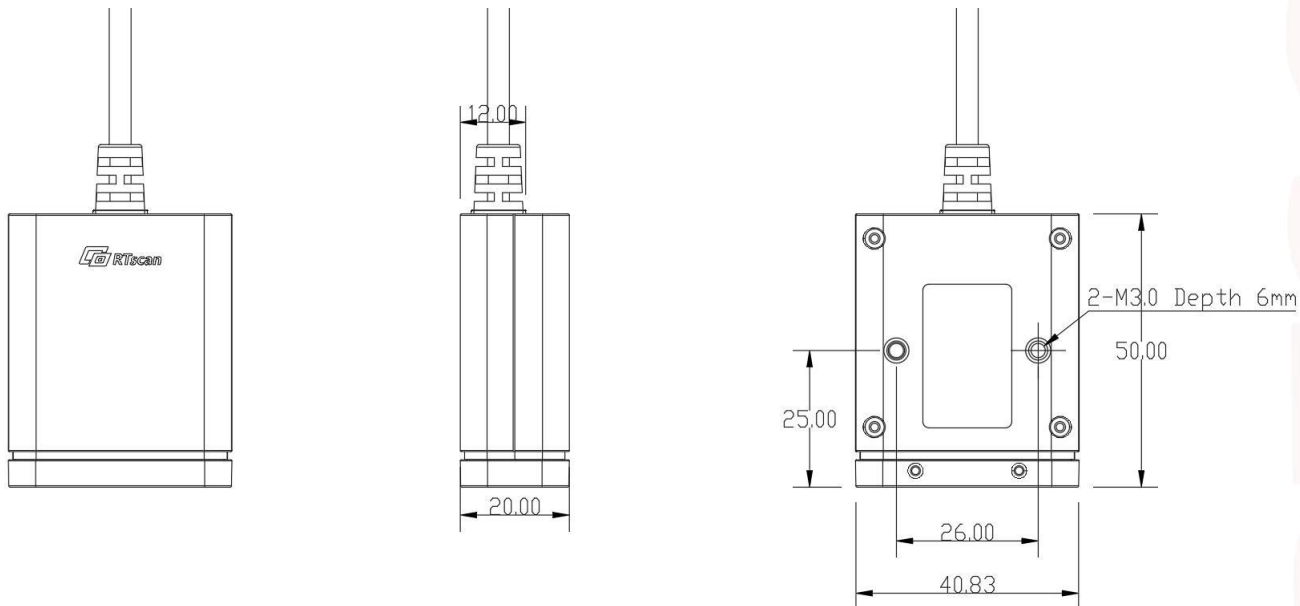
Compliant with Windows, Android, Mac.

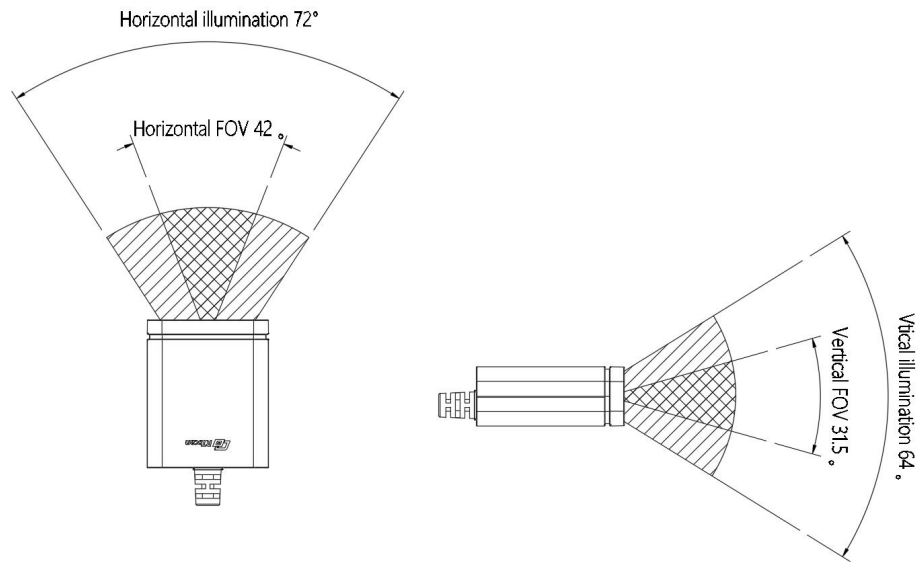
Specification :



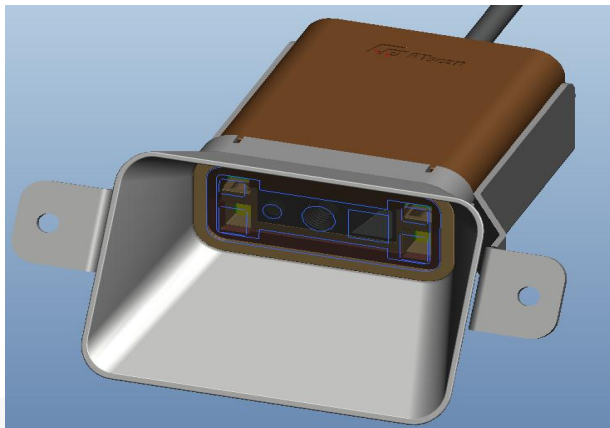
Performance	Image Sensor	640 * 480 CMOS		
	Illumination Aiming	White LED Red LED		
	Symbologies	2D	QR Code, PDF417, Data Matrix, etc.	
		1D	Code 128, EAN-13, EAN-8, Code 39, UPC-A, UPC-E, Codabar, Interleaved 2of 5, ITF-6, ITF-14, ISBN, Code 93, UCC/EAN-128, GS1 Databar, Matrix 2of 5, Code 11, Industrial 25, Standard 25, ISSN, Plessey, MSI-Plessey, AIM 128 etc	
	Resolution	≥3mil (tested by Code 128, differ from different type bar codes)		
	Typical Depth of Field	EAN-13	50-260mm (13mil)	
		Code 39	50-115mm (5mil)	
		QR Code	45-190mm (15mil)	
	Scan Mode	Sense mode, command trigger mode		
	Scan Angle	Roll: 360°, Pitch: ±60°, Skew: ±60°		
Field of View	Horizontal 42°, Vertical 31.5°			
Min. Symbol Contrast	20%			
Mechanical/ Electric	Interface	USB-HID/ USB-CDC / RS232		
	Dimensions	40.83(W)×50(D)×20(H)mm		
	Weight	63g		
	Notification	Beep, LED indicator		
	Operating Voltage	5VDC±5%		
	Current @ 5VDC	Operating	243mA (typical), 270mA (max.)	
Standby		106mA		
Environmental	Operating Temperature	-20°C to 60°C (-4°F to 140°F)		
	Storage Temperature	-40°C to 70°C (-40°F to 158°F)		
	Humidity	5% to 95% (non-condensing)		
Certifications	FCC Class B, CE EMC Class B, ROHS , REACH, IEC62471/EN62471 (LED)			
Accessories	Cable	USB	Used to connect the RT240 to a host device.	
		RS-232	Used to connect the RT240 to a host device.	

Test distance = (minimum depth of field + maximum depth of field)/2; The ambient temperature = 23°C; ambient illumination = 300 LUX incandescent 2 D : QR CODE; 10 Bytes; Minimum empty width = 15 mil; PCS=0.8; * Specifications are subject to change without prior notice*

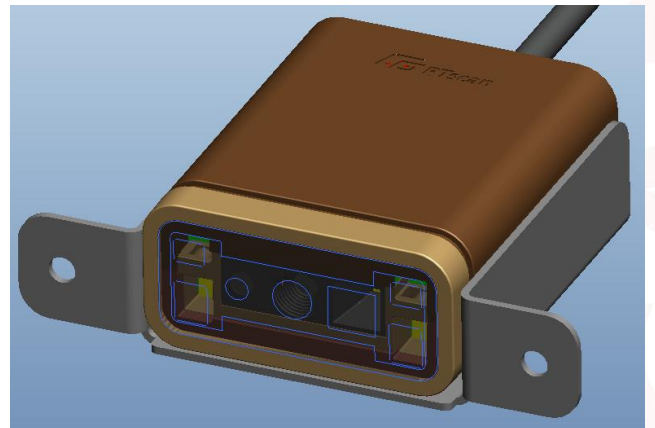




Mounting & Bracket



Bracket type B



Bracket type A



Tel: +86 755-23762089

Website: www.rtscan.net Email: sales@rtscan.net

Copyright RTscan Technology Limited all rights reserved. RTscan is a registered trademark of RTscan Technology Limited. All other trademarks are the property of their respective owners. In a continuing effort to improve our products, RTscan Technology Limited reserves the right to change specifications and features without prior notice.